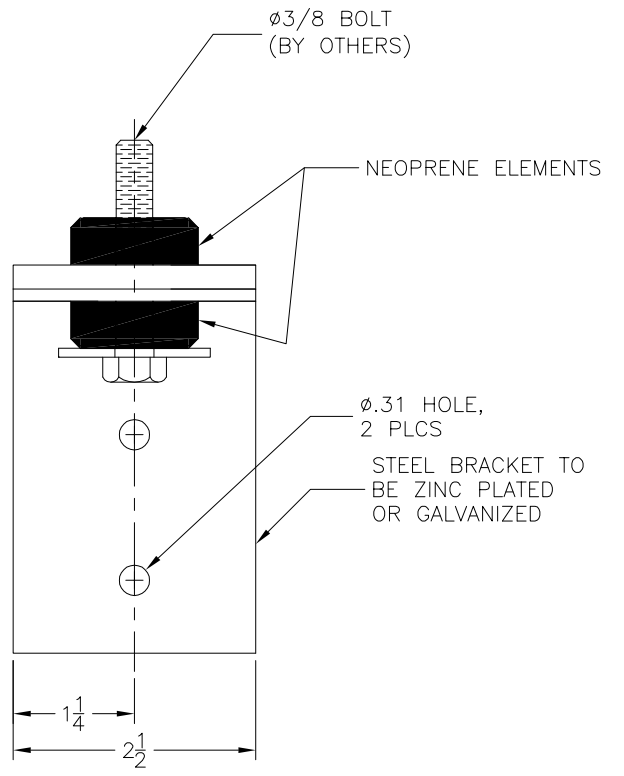
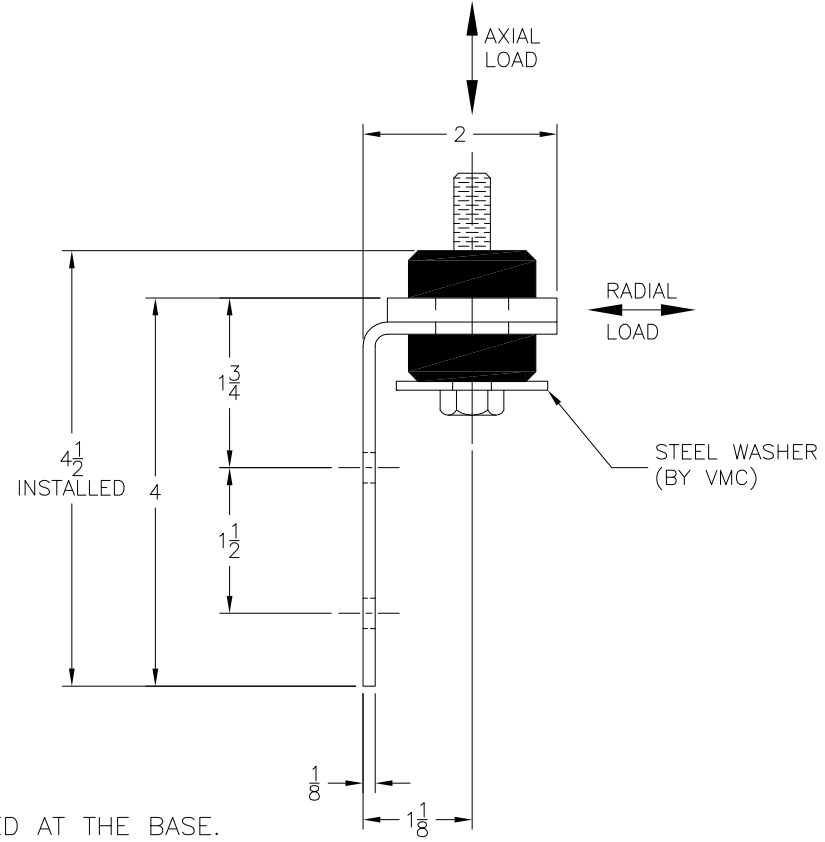


REV.	DESCRIPTION	DATE	BY

PART NUMBER	MODEL NUMBER	RATED AXIAL LOAD VS. DEFLECTION				MAXIMUM ASSIGNED WALL WEIGHT	MAXIMUM RADIAL LOAD
		LOAD	DEFL.	LOAD	DEFL.		
590004-1	WIB-1	60 LBS	.05 IN.	120 LBS	.10 IN.	350 LBS	50 LBS



NOTES:

1. WALL MUST BE SUPPORTED AT THE BASE.
2. NOMINAL "STATIC" LOAD IS ZERO. MAXIMUM ASSIGNED WALL WEIGHT IS INTENDED TO ALLOW FOR POTENTIAL BUCKLING OR EXPANSION FORCES.
3. NEOPRENE ELEMENT AND WASHER ARE SHIPPED TIE WIRED TO BRACKET.

TYPICALLY INSTALLED AT 4FT ON CENTER IN BOTH THE HORIZONTAL AND VERTICAL DIRECTIONS

OTHER MATERIALS, COMPOUNDS, OR FINISHES WITH EQUAL OR SUPERIOR PROPERTIES MAY BE SUBSTITUTED AS THEY BECOME AVAILABLE.

**CERTIFIED FOR:**

JOB NAME: \_\_\_\_\_

CUSTOMER: \_\_\_\_\_

CUSTOMER P.O.: \_\_\_\_\_

SALES ORDER: \_\_\_\_\_

**MODEL WIB 1 60 LBS. ELASTOMERIC WALL ISOLATION BRACE**



**THE VMC GROUP**  
*The Power of Together*  
 Bloomingdale, NJ 07403  
 Houston, TX 77041

SCALE: NONE

SHEET: 1 OF 1



DRAWING NO.: \_\_\_\_\_ REVISION \_\_\_\_\_